



SPX Corporation
 655 Eisenhower Drive
 Owatonna, MN 55060-0995 USA
 Phone: (507) 455-7000
 Tech. Serv.: (800) 533-6127
 Fax: (800) 955-8329
 Order Entry: (800) 533-6127
 Fax: (800) 283-8665
 International Sales: (507) 455-7290
 Fax: (507) 455-7063

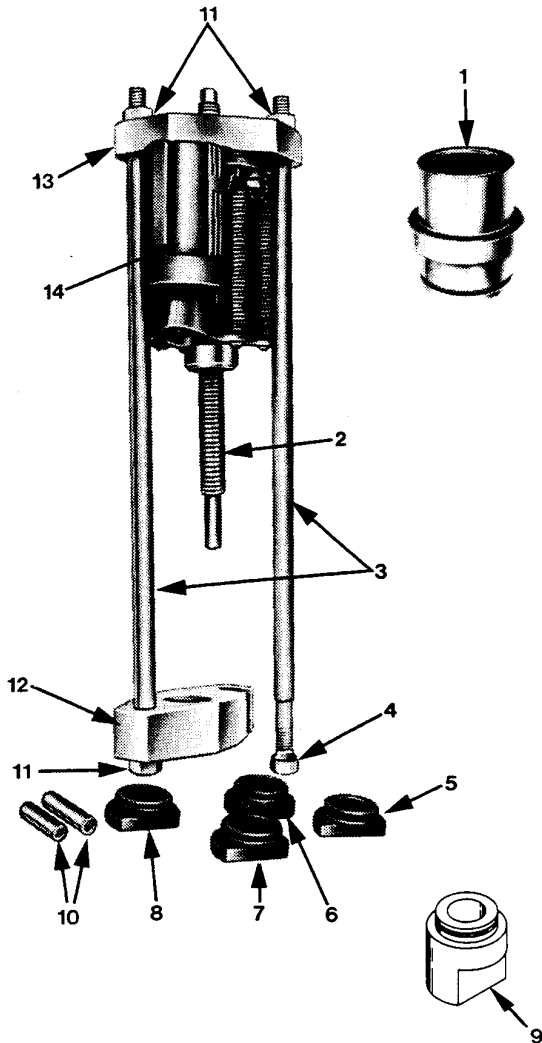
Form No. 102488

**Parts List &
 Operating Instructions for:**

**4240
 4241**

King Pin / Brake Anchor Pin Pusher

Max. Capacity: 30 Tons



Item No.	Part No.	No. Req'd	Description
1	29424	1	Anchor Pin Adapter
2	34195	1	Forcing Screw
3	34193	2	Leg
4	28714	1	Nut (1-14 UNS)
5	34199	1	Bushing (1-3/4")
6	34200	1	Bushing (1-1/2")
7	34201	1	Bushing (1-1/4")
8	34202	1	Bushing (1")
9	309962	1	Bushing (1-1/4 x 3-1/2 Lg.)
10	28709	2	Pin (.855 dia. x 3" lg.)
11	10220	3	Hex Nut (1-14 UNS)
12	43104	1	King Pin Pusher Head
13	43103	1	Ram Mounting Plate
14	4121	1	30 Ton Twin Ram

PARTS INCLUDED BUT NOT SHOWN

12718	2	Hex Hd. Cap Screw (7/16-14 UNC x 3" lg.)
10583	2	Hex Heavy Nut (7/16-14 UNC)
4002	1	Hand Pump (4240 only)
25599	1	Hose Half Coupler (4240 only)
36886	1	Hose Assembly (4240 only)

WARNING: To help prevent personal injury,

- Wear safety glasses at all times.
- Cover the work with canvas because applying force to a part can cause breakage.
- Apply force gradually. The component should "give" a little at a time. Do not try to speed removal by using an impact wrench on the forcing screw.

Sheet No. 1 of 1

Issue Date: Rev. 2-1-90

OPERATING INSTRUCTIONS

KING PIN REMOVAL

1. Remove the front wheel, brake assembly, and control arm or tie rod from the vehicle being serviced.
2. Remove the king pin locking pins from the spindle.
3. Remove the caps or plugs from the top or bottom of the spindle.
NOTE: The surface of the king pin that will serve as the pressing surface must be flat and clean.
4. Measure the king pin diameter and approximate length. Select one of the four bushings included in this service tool set. The bushing must closely match the diameter of the king pin to be removed, yet allow easy passage of the king pin through the bushing. Install the bushing in the king pin pusher head as shown in Figure 1. **NOTE: You don't have to use a bushing if the king pin is larger than 1-3/4" dia.**
5. Loosen the nut on the end of the leg to let the head swing open.
6. Adjust the length of the forcing screw in the cylinder to allow clearance between the screw end and the top of the bushing.
7. Position the unit on the spindle in either the top-mounted or bottom-mounted position. Refer to Figure 2, which is the top-mounted position.
8. Turn the forcing screw against the king pin to secure the unit in place. **IMPORTANT: To help prevent damage to the tool and spindle, the bushing and the king pin must be properly aligned to allow passage of the king pin.**
9. When everything is correctly aligned and tightened, attach the pump to the cylinder and remove the king pin. **NOTE: On king pins of less than 1-1/4" diameter, push the king pin about 2-1/4" through the spindle and stop. Back the forcing screw out, and use one or both of the provided screw extensions to push the king pin the remaining distance.**

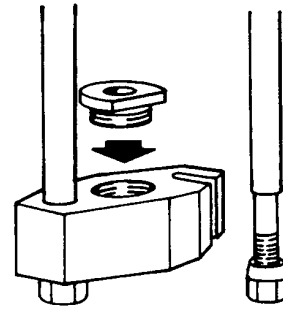


FIGURE 1

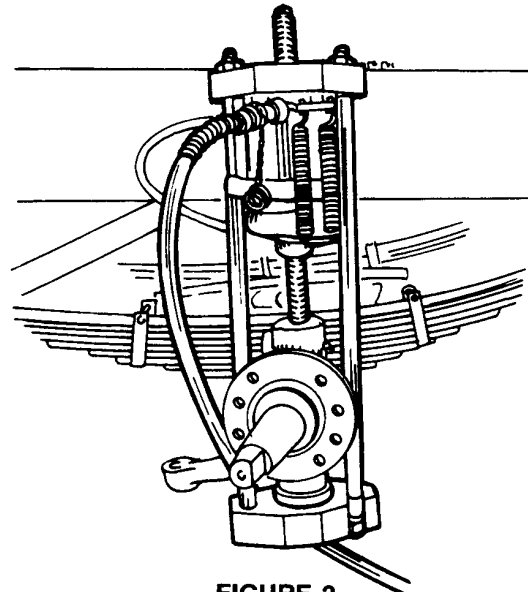


FIGURE 2

BRAKE ANCHOR PIN REMOVAL

1. Remove the wheel and brake drum assembly.
2. Back off the brake slack adjuster.
3. Remove the brake shoe return springs.
4. Remove the clips and dust cover from the anchor pins.
5. Remove the anchor pin safety lock.
6. Install the brake anchor pin adapter (Item #1) in the king pin pusher head as shown in Figures 1 and 3.
7. Loosen the nut on the leg to let the head swing open. Adjust the length of the forcing screw in the cylinder to allow clearance between the screw end and the top of the anchor pin adapter.
8. Position the unit over the brake spider as shown in Figure 3. Check all adjustments for correct alignment and tightness.
9. Attach the pump to the cylinder and remove the brake anchor pin.

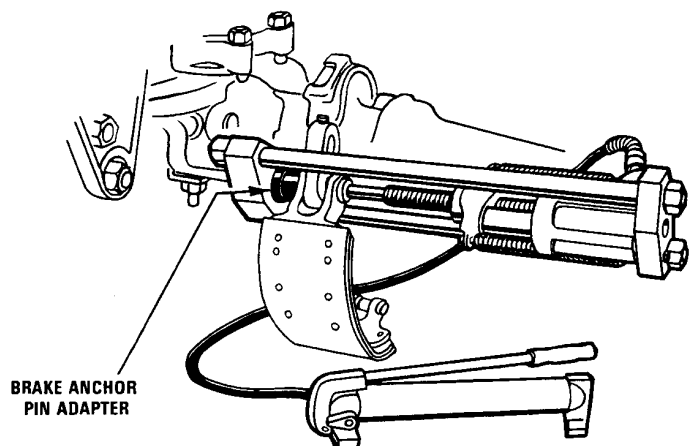


FIGURE 3